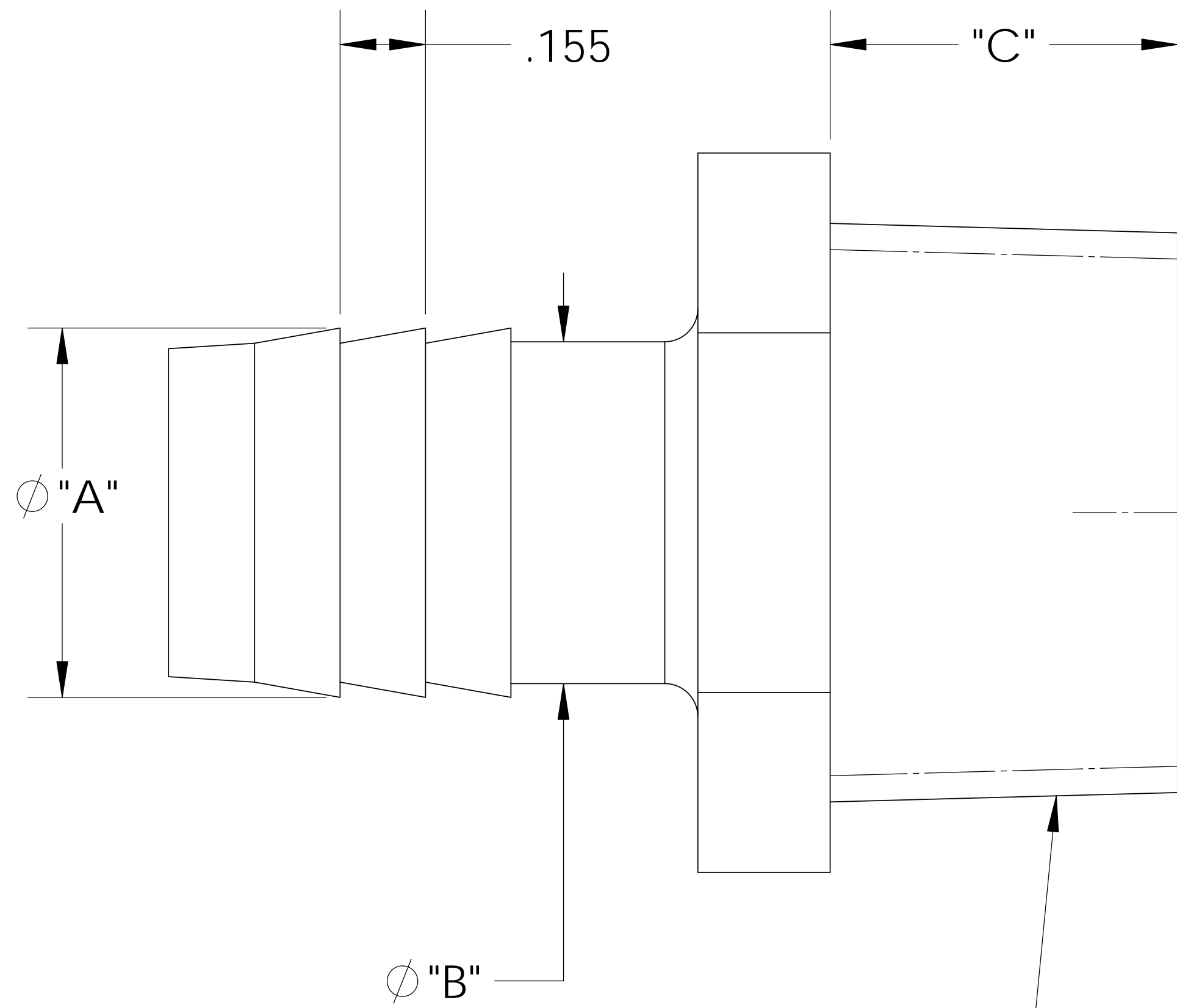
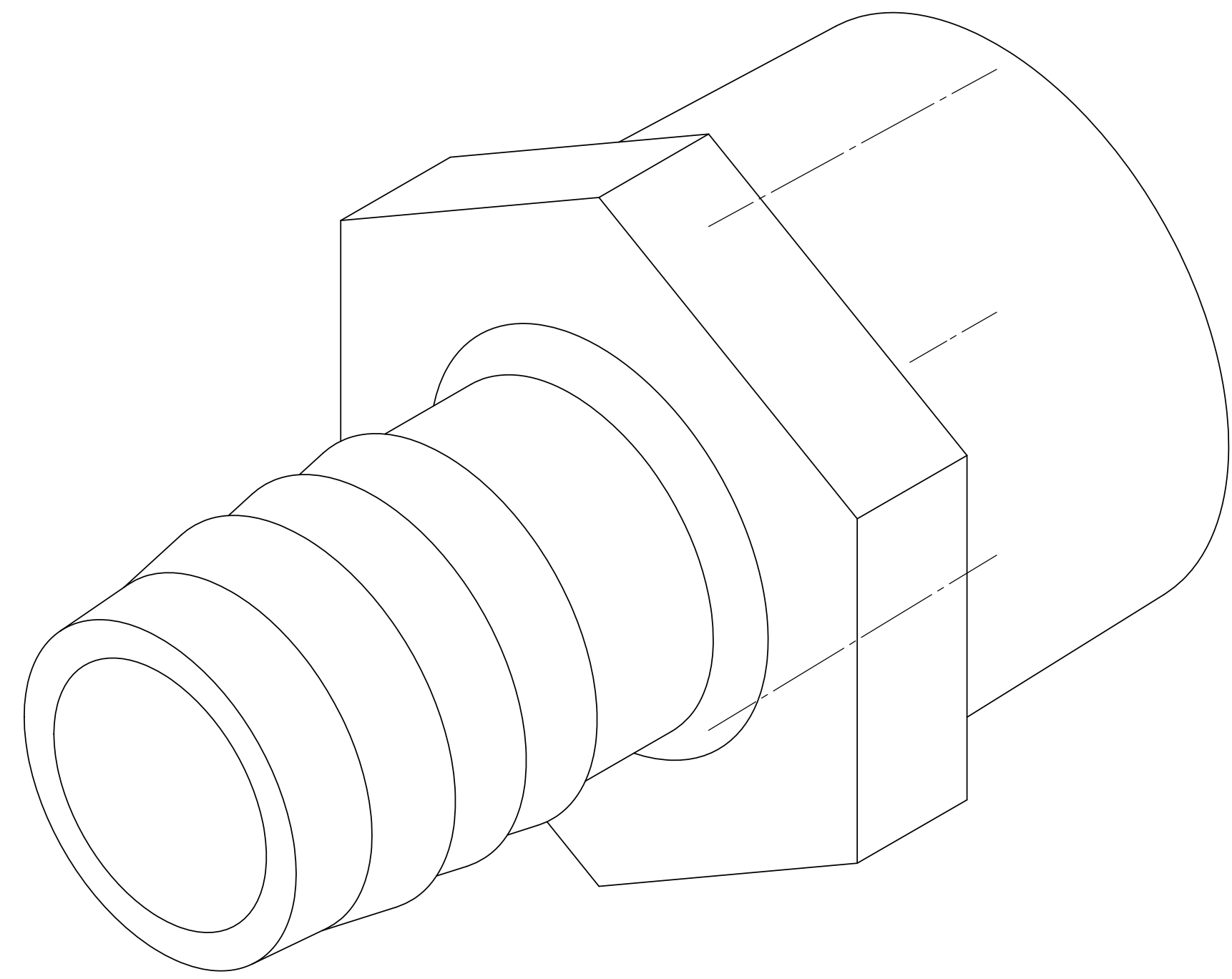
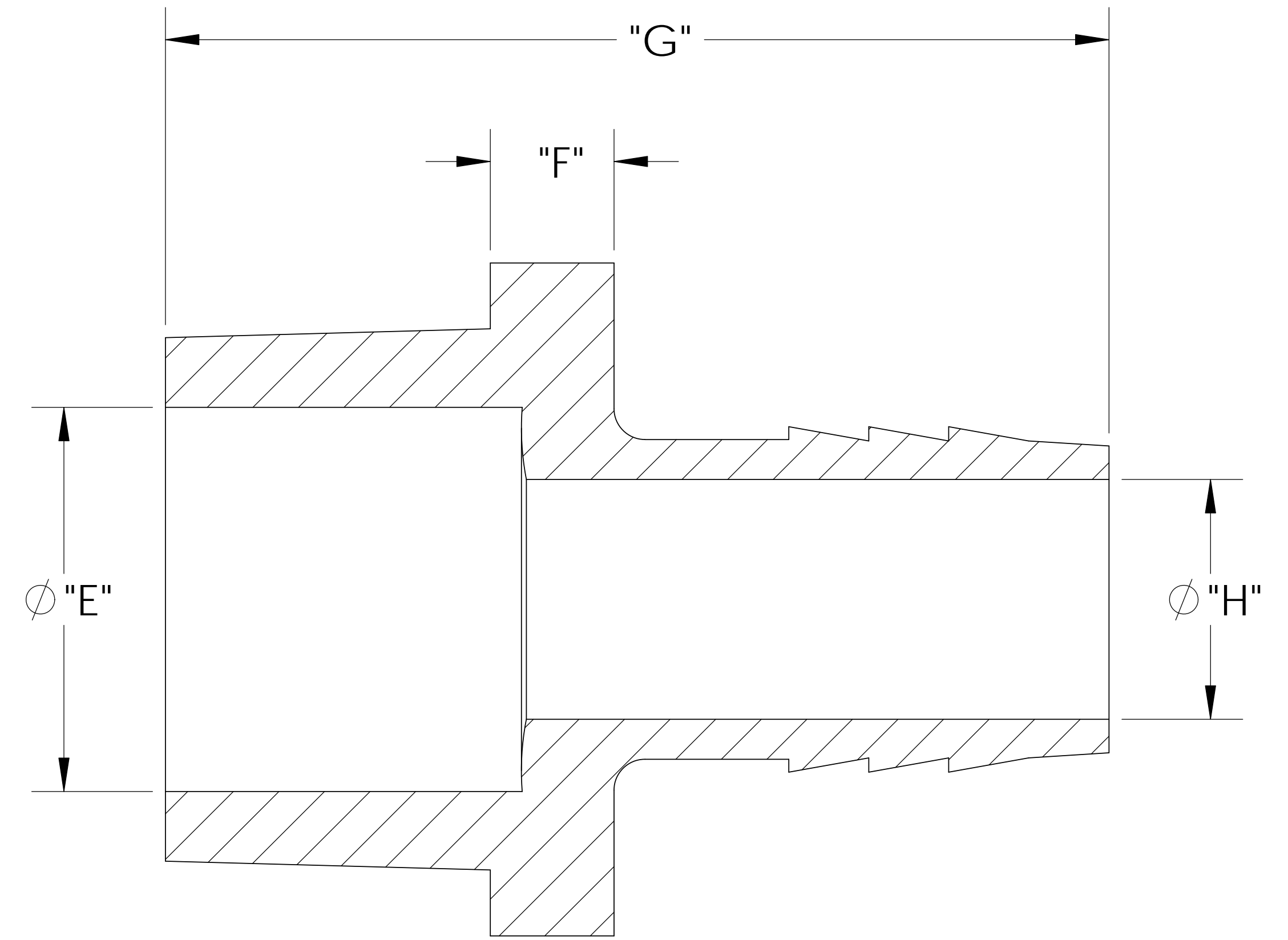
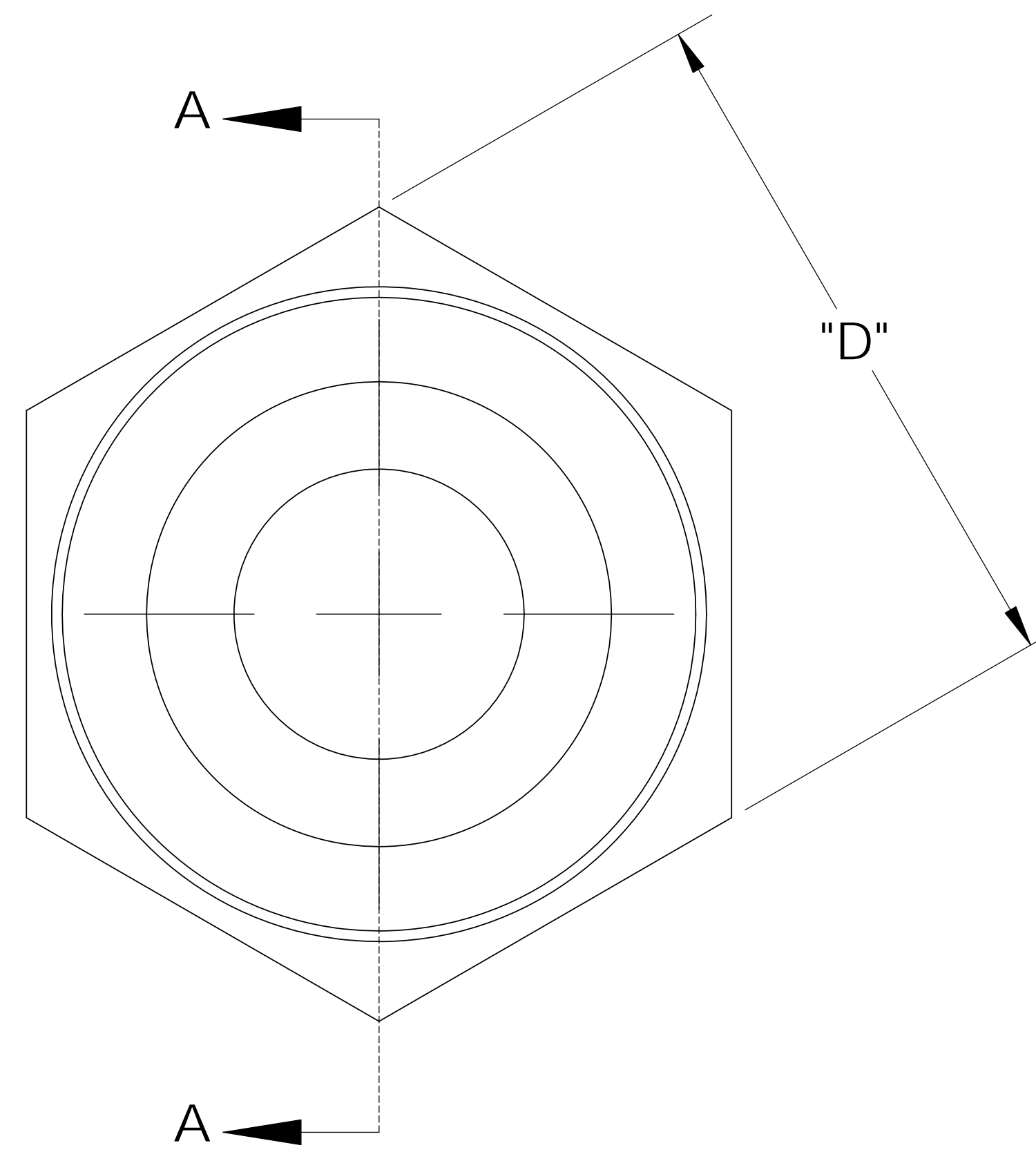


UNCONTROLLED IF PRINTED; CONTROLLED COPY LOCATED IN IQMS DOCUMENT CONTROL



MALE 3/4"-14 NPT



SECTION A-A

SHOWN

| CATALOG NO. | DESCRIPTION | MATERIAL | DIM "A" | DIM "B" | DIM "C" | DIM "D" | DIM "E" | DIM "F" | DIM "G" | DIM "H" |
|-------------|--------------------|---------------|---------|---------|---------|---------|---------|---------|---------|---------|
| TA101210/PP | 3/4" NPT X 5/8" PP | POLYPROPYLENE | .660 | .610 | .61 | 1.11 | .735 | .240 | 1.80 | .460 |
| TA101210/P | 3/4" NPT X 5/8" P | POLYETHYLENE | .655 | .600 | .59 | 1.10 | .705 | .250 | 1.67 | .445 |
| TA101210/N | 3/4" NPT X 5/8" N | NYLON | .670 | .620 | .63 | 1.13 | .745 | .240 | 1.83 | .465 |

NOTES:

- 1) POLYPROPYLENE HAS COLOR OPTIONS:
 BLACK = TA101210/PPB
 NATURAL = TA101210/PPN

PROPRIETARY AND CONFIDENTIAL
 THE INFORMATION CONTAINED IN THIS DRAWING IS THE SOLE PROPERTY OF THOGUS PRODUCTS COMPANY. ANY REPRODUCTION IN PART OR AS A WHOLE WITHOUT THE WRITTEN PERMISSION OF THOGUS PRODUCTS COMPANY IS PROHIBITED.

| REV | WRO# | DESCRIPTION |
|---------|----------|------------------------|
| D | 95.00072 | CONVERTED TO 3D FORMAT |
| HISTORY | | |

UNLESS OTHERWISE SPECIFIED:
 DIMENSIONS ARE IN INCHES
 TOLERANCES:
 ANGULAR: ±0.5°
 X.X = ± 0.1
 X.XX = ± 0.05
 X.XXX = ± 0.015
 REMOVE ALL SHARP EDGES AND BURRS
 BLEND ALL RADII TO 0.01IN
 INTERPRET GEOMETRIC TOLERANCING PER: ANSI Y 14.5 1994
 MATERIAL: PP, P, N
 FINISH: NA
 THIRD ANGLE PROJECTION:

| NAME | DATE |
|--------------|----------|
| DRAWN JRM | 03/22/11 |
| CHECKED KDJ | 03/22/11 |
| ENG APPR. JM | 03/23/11 |
| MFG APPR. ML | 03/23/11 |
| Q.A. NJW | 03/23/11 |

Thogus You think it, we can make it...
 33490 PIN OAK, AVON LAKE, OH 44012

TITLE: **3/4" NPT X 5/8 BARB ADAPTER**

| | | |
|---------------|--------------------------|--------------|
| SIZE B | DWG. NO. TA101210 | REV D |
| SCALE: 2:1 | MASS: | SHEET 1 OF 1 |

DO NOT SCALE DRAWING